

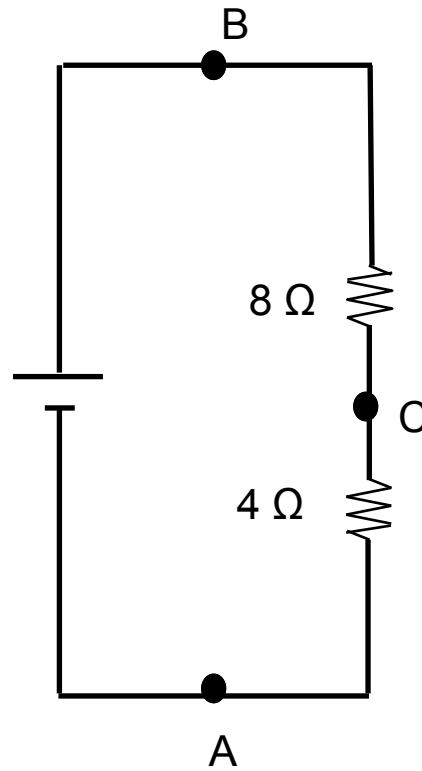
$$V_{AB} = 16V$$

$$V_{CB} = \underline{\hspace{2cm}}$$

$$V_{AC} = \underline{\hspace{2cm}}$$

$$I_1 = \underline{\hspace{2cm}}$$

$$R_T = \underline{\hspace{2cm}}$$



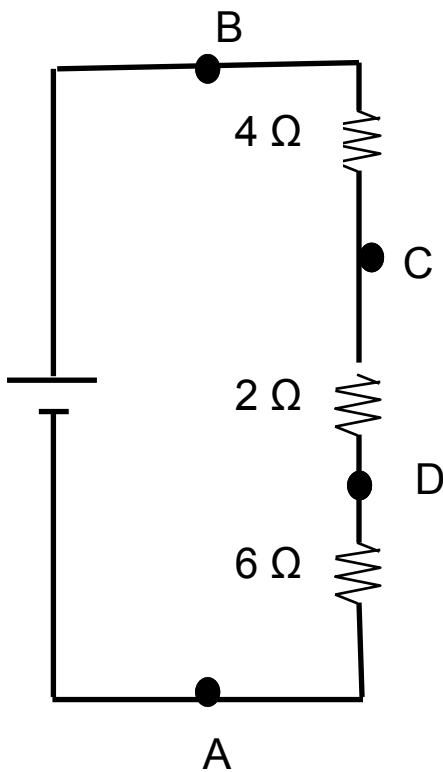
$$V_{AB} = \underline{\hspace{2cm}}$$

$$V_{CB} = 2V$$

$$V_{AC} = \underline{\hspace{2cm}}$$

$$I_1 = \underline{\hspace{2cm}}$$

$$R_T = \underline{\hspace{2cm}}$$



$$V_{AB} = \underline{\hspace{2cm}}$$

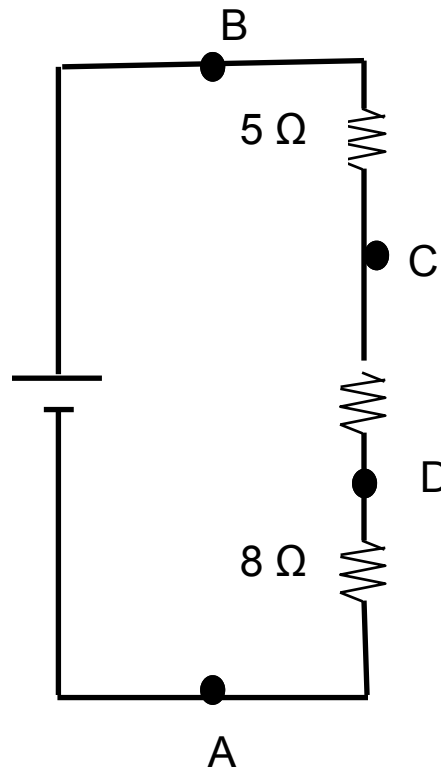
$$V_{CB} = \underline{\hspace{2cm}}$$

$$V_{DC} = \underline{\hspace{2cm}}$$

$$V_{AD} = \underline{\hspace{2cm}}$$

$$I_1 = 5A$$

$$R_T = \underline{\hspace{2cm}}$$



$$V_{AB} = \underline{\hspace{2cm}}$$

$$V_{CB} = \underline{\hspace{2cm}}$$

$$V_{DC} = 16V$$

$$V_{AD} = 4V$$

$$I_1 = \underline{\hspace{2cm}}$$

$$R_T = \underline{\hspace{2cm}}$$

