

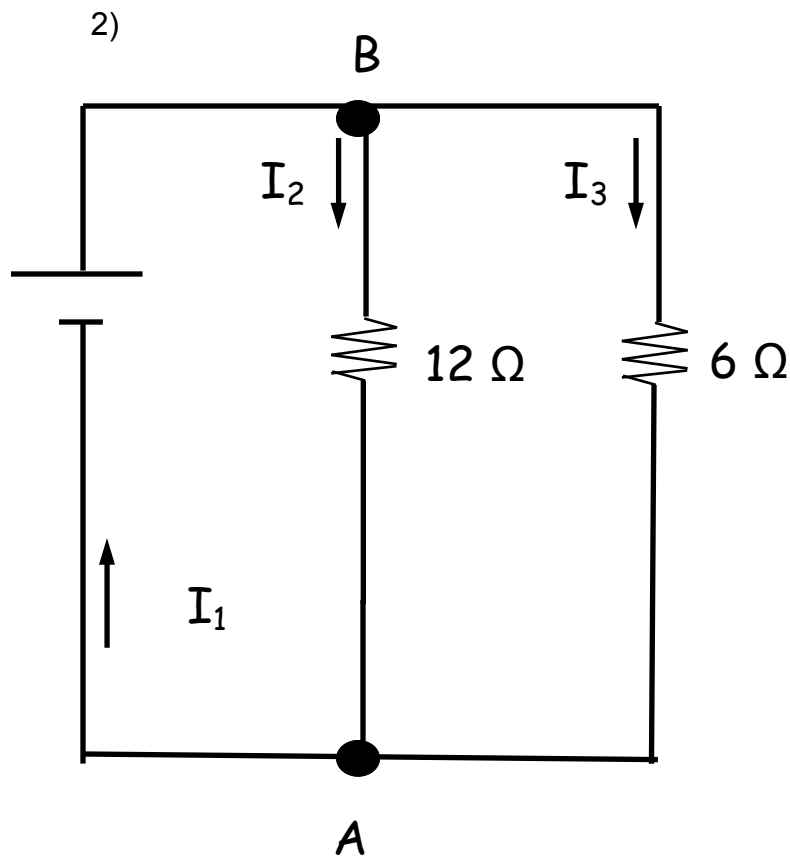
$$V_{AB} = 24V$$

$$I_1 = \underline{\hspace{2cm}}$$

$$I_2 = \underline{\hspace{2cm}}$$

$$I_3 = \underline{\hspace{2cm}}$$

$$R_T = \underline{\hspace{2cm}}$$



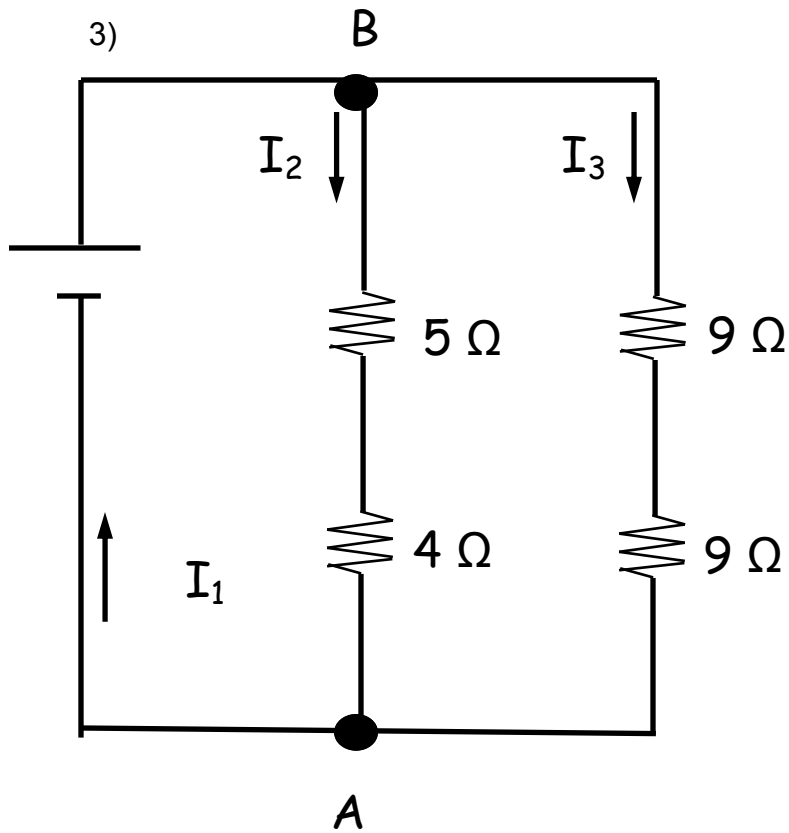
$$V_{AB} = 6V$$

$$I_1 = \underline{\hspace{2cm}}$$

$$I_2 = \underline{\hspace{2cm}}$$

$$I_3 = \underline{\hspace{2cm}}$$

$$R_T = \underline{\hspace{2cm}}$$



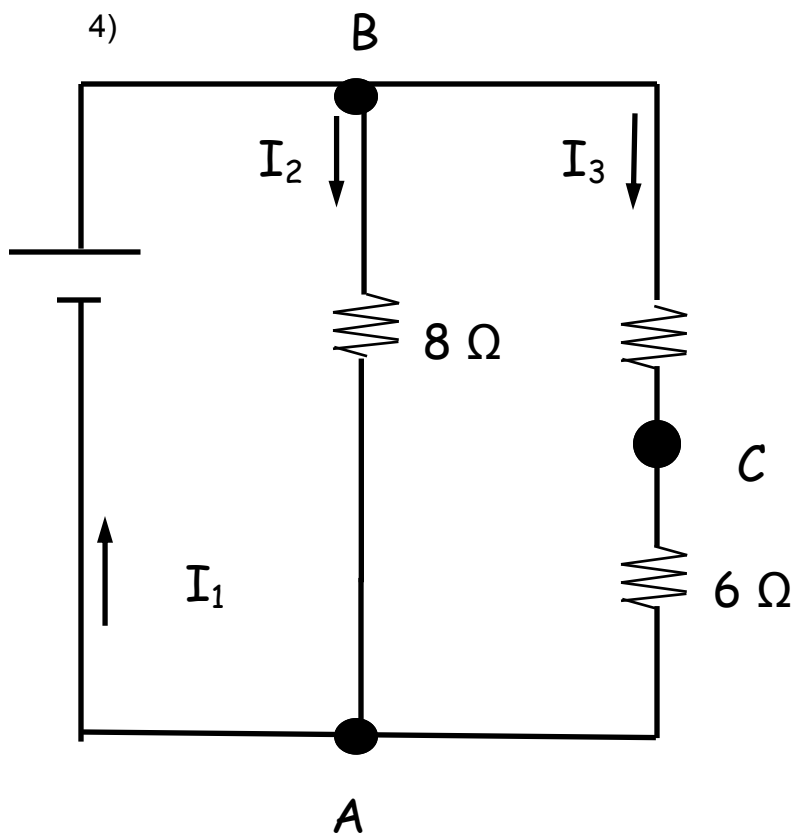
$$V_{AB} = \underline{\hspace{2cm}}$$

$$I_1 = 6 \text{ A}$$

$$I_2 = \underline{\hspace{2cm}}$$

$$I_3 = \underline{\hspace{2cm}}$$

$$R_T = \underline{\hspace{2cm}}$$



$$V_{AB} = 24 \text{ V}$$

$$V_{BC} = \underline{\hspace{2cm}}$$

$$I_1 = 6 \text{ A}$$

$$I_2 = \underline{\hspace{2cm}}$$

$$I_3 = \underline{\hspace{2cm}}$$

$$R_T = \underline{\hspace{2cm}}$$