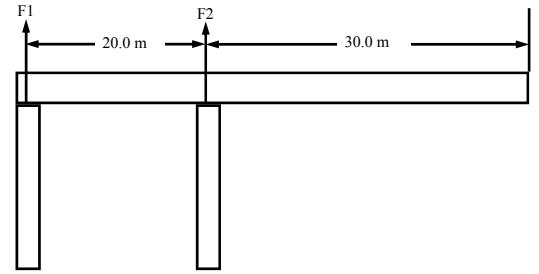


1. In the following cantilever, what are the values for F1 and F2? The beam has a uniform mass of 2000 kg.

FBD:



ΣF_y :

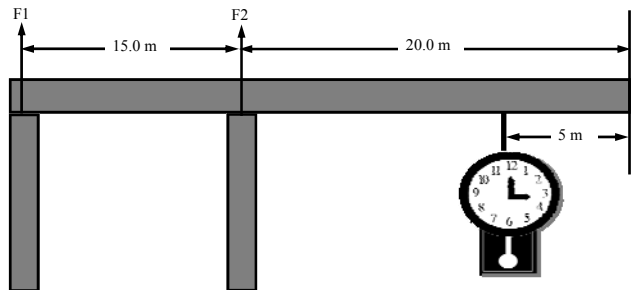
F1 =

F2 =

$\Sigma \tau$:

2. In the following cantilever, what are the values for F1 and F2? The beam has a mass of 2000 kg. The clock has a mass of 100 kg.

FBD:



ΣF_y :

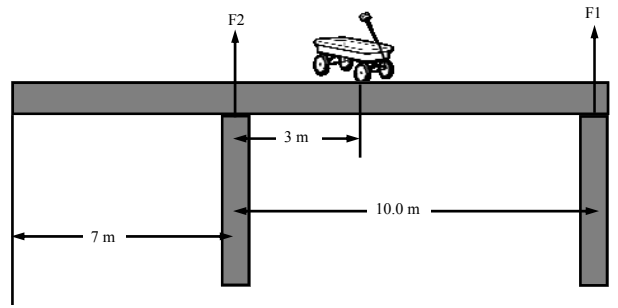
F1 =

F2 =

$\Sigma \tau$:

3. The beam has a mass of 20 kg. The wagon has a mass of 60 kg.

FBD:



$\Sigma F_y:$

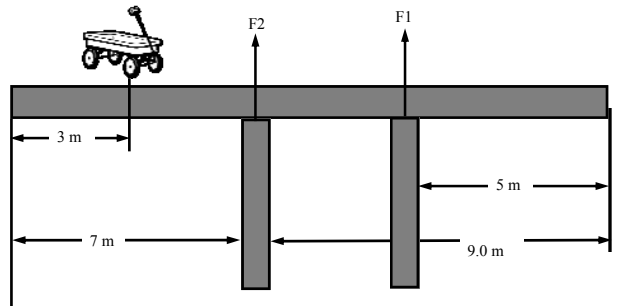
$\Sigma \tau:$

F1 =

F2 =

4. The beam has a mass of 120 kg. The wagon has a mass of 40 kg.

FBD:



$\Sigma F_y:$

$\Sigma \tau:$

F1 =

F2 =