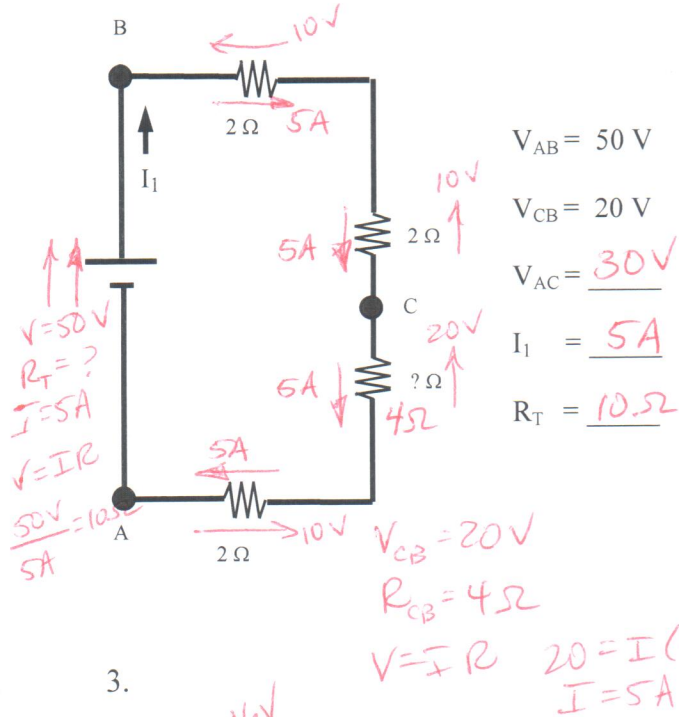
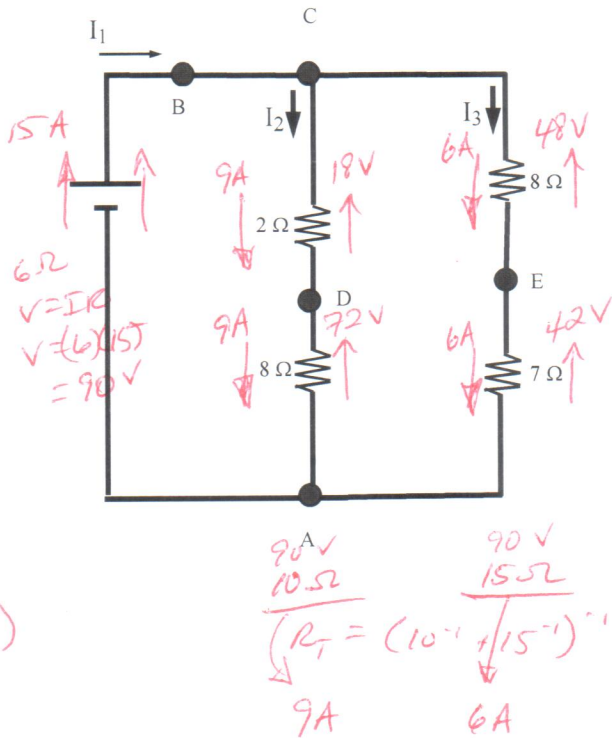


Test 4 Circuits Review

1.

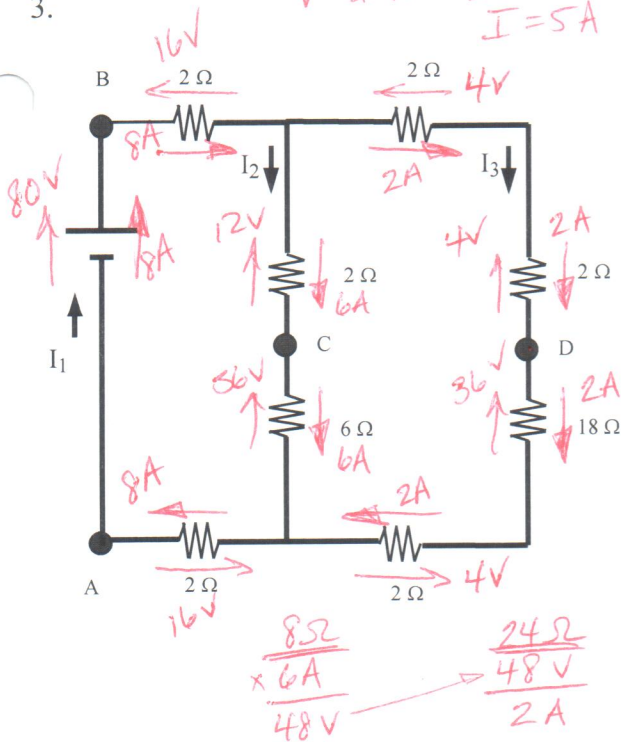


2.



$V_{AB} = 90\text{ V}$
 $V_{CB} = 0\text{ V}$
 $V_{CE} = -48\text{ V}$
 $V_{AE} = 42\text{ V}$
 $V_{AD} = 72\text{ V}$

3.



$V_{AB} = 80\text{ V}$
 $V_{AC} = 52\text{ V}$
 $V_{BC} = -28\text{ V}$
 $V_{AD} = 56\text{ V}$
 $V_{DB} = 24\text{ V}$

Review HW 4.1

You need to be able to solve problems using the following formulas:

$Q = It$ $V = IR$ $P = E/t$ $P = VI$ $P = I^2R$ $P = V^2/R$

Review HW 4.2, HW 4.3, HW 4.4 and HW 4.5

You will need to be able to analyze series, parallel and combination circuits. You **MUST** draw and label all current and voltage arrows in order to receive full credit.